

# NEW PAGID APPLICATION RELEASE

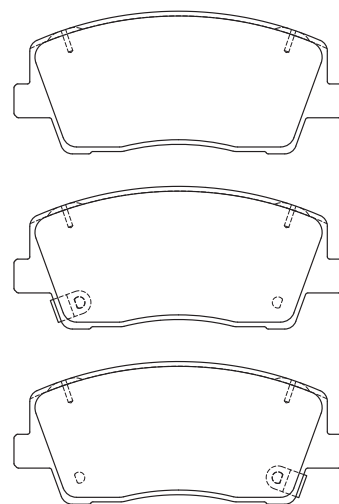
**PAGID**<sup>®</sup>

## BRAKE PADS FOR KIA STINGER



### Part No.: T2803

Make	Model	Type	Year	Axle
KIA	STINGER (CK)	2.2 CRDi VGT	06/17	front



Pagid is an OE brand of TMD Friction – the world's largest manufacturer of brake friction, and a truly global partner for the automotive industry. We continuously extend our product range to provide an exceptional car parc coverage.

For further product information please visit:



[www.pagid.com](http://www.pagid.com)