

NEW PAGID APPLICATION RELEASE

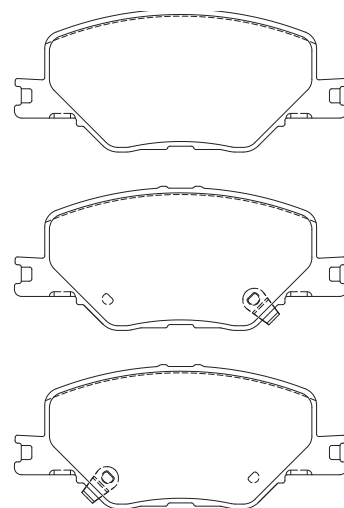


BRAKE PADS FOR VAUXHALL INSIGNIA



Part No.: T2750

Make	Model	Type	Year	Axle
VAUXHALL	INSIGNIA Mk II (B) Hatchback (Z18)	1.5 CDTi	02/20	front



Pagid is an OE brand of TMD Friction – the world's largest manufacturer of brake friction, and a truly global partner for the automotive industry. We continuously extend our product range to provide an exceptional car parc coverage.

For further product information please visit:



www.pagid.com