

NEW PAGID APPLICATION RELEASE

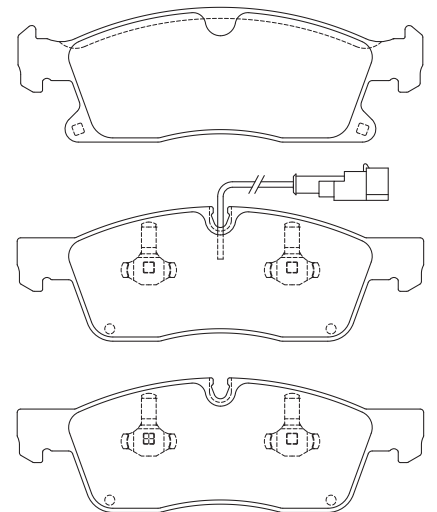


BRAKE PADS FOR MASERATI LEVANTE



Part No.: T2777

Make	Model	Type	Year	Axle
MASERATI	LEVANTE SUV (M161)	3.0 D Q4	06/16	front



Pagid is an OE brand of TMD Friction – the world's largest manufacturer of brake friction, and a truly global partner for the automotive industry. We continuously extend our product range to provide an exceptional car parc coverage.

For further product information please visit:



www.pagid.com